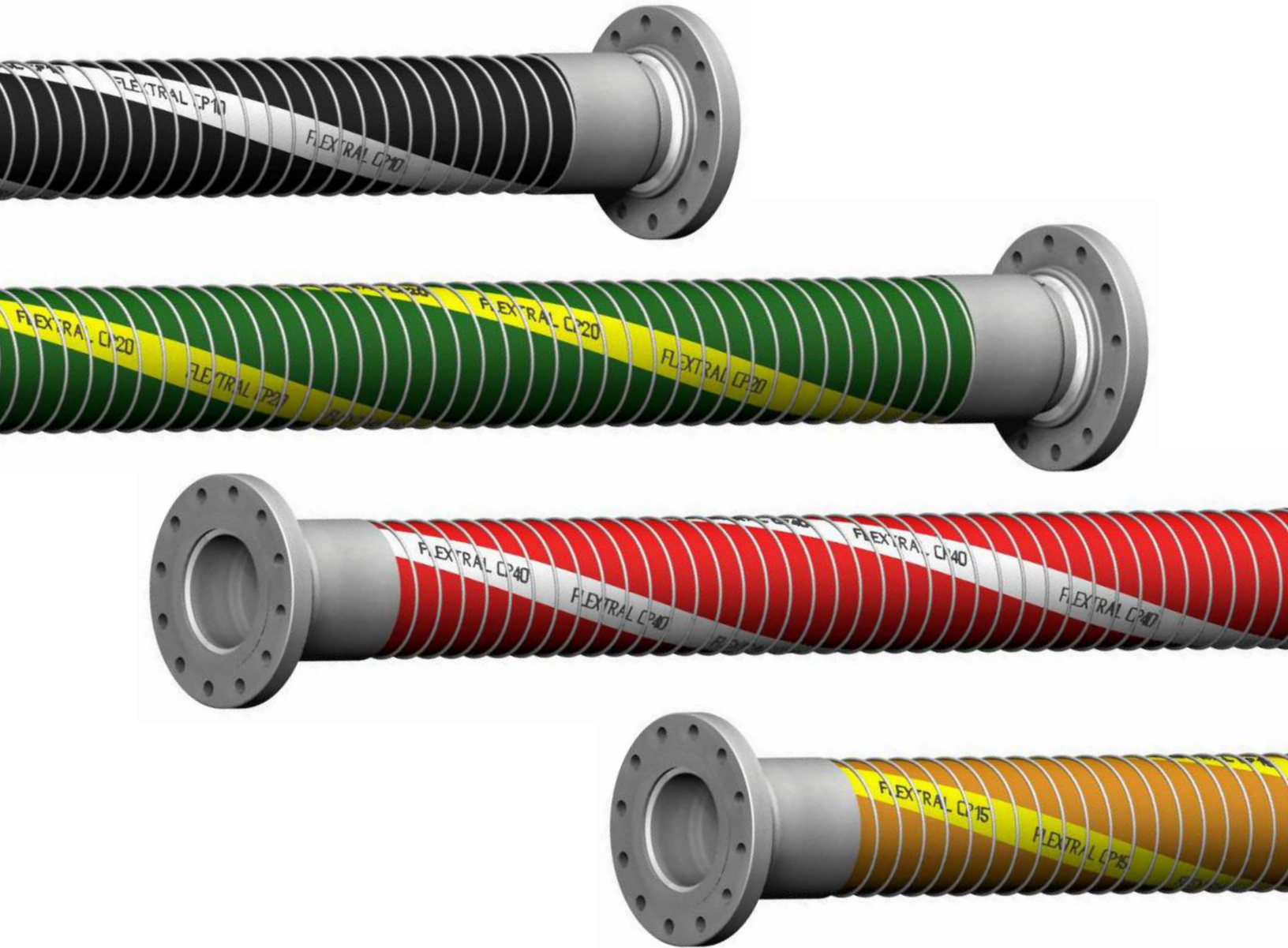




COMPOSITE HOSE PRODUCTS





INDEX

Composite Hose

CP10 Compo Cargo & Oil Hose GG.....	3
CP12 HD Marine Compo Cargo & Oil Hose GG.....	4
CP17 Compo Fuel Delivery Hose AP.....	5
CP18 Compo Cargo Vapor Hose.....	6
CP20 Compo Chem Hose PG.....	7
CP22 HD Marine Compo Chem Hose PG.....	8
CP40 Compo PTFE Chem Hose SS.....	9
CP42 HD Marine Compo PTFE Chem Hose SS.....	10

Composite Fittings

CPB Welding Ends.....	11
Weld End Flange.....	12
CPTB/FLLJ/FLS/FLT Flanges.....	13
CPT Male NPT Ends/ Grooved End.....	14
CP Camlocks.....	15
CPF Ferrules.....	15
Hammer Unions.....	16
CPS Gaskets.....	17

Composite Accessories

CP-ASR Anti Abrasion Collar & Hose Suspension Saddles.....	18
Hose Buns.....	19

COMPOSITE HOSE

Flextral Compo composite hose is offered as an extremely versatile hose and fitting range offering solutions for a wide range of applications from Onshore and Offshore Petroleum to Chemical to Cryogenic. Compo is available for applications ranging from -328°F to +600°F and also with pressure ratings up to 600 PSI working pressure. Please contact us today for your custom application requirements.

INNER AND OUTER WIRE OPTIONS

- Galvanized steel
- Polypropylene coated galvanized steel
- 304 stainless steel
- 316 stainless steel
- Aluminum
- Polypropylene coated aluminum
- Titanium (inner wire only)
- PVDF coated stainless steel (inner wire only)

FIRST INNER LAYER MATERIAL OPTIONS

- Polypropylene
- PTFE
- UHWM
- Polyurethane
- Polyethylene
- Thermoplastic fabric

COLOR OPTIONS

- Green
- Blue
- Red
- Black
- Yellow
- White
- Orange
- Custom colors available (minimum order quantity required)

COVER OPTIONS

- Outer cover is also available in a special polyurathane coated fabric.



CP10 COMPO CARGO & OIL HOSE GG



Application:

Extremely flexible and easy to handle. FLEXTRAL CP10 hoses are used in such applications as transfer for rail and road tanker, loading and unloading, storage tank, and in-plant use. Specifically engineered to handle oils, petrol, diesel, lubricating oils, and paraffin. All hoses are 100% aromatic resistant, antistatic and can be used for suction or discharge.

FLEXTRAL CP10 is manufactured according to the requirement specified by the European Standards EN 13765:2010 Type 3 (BS 5842:1980), and in accordance with the recommendations of NAHAD Guidelines (NAHAD 600/2005). Meets USCG requirements.

Construction:

FLEXTRAL CP10 is a multi-layer thermoplastic hose manufactured from polypropylene, polyethylene, polyester films and polypropylene fabrics, with a weather-proof and abrasion resistant outer cover made of polymeric coated polyester fabric. All the different layers are wrapped together and tensioned between galvanized internal and galvanized external wire. This enables our product to meet the requirement of the petrol-chemical industry and the oil tank truck industry.

Branding - FLEXTRAL CP10-300 3" COMPO CARGO & OIL HOSE
200 PSI MAX WP GG

Temperature Range: -30°C to +80°C (-22°F to +176°F)

Part No.	I.D. Inches	Max W.P. PSI	Bend Radius Inches	Weight (lbs./ft.)	Vacuum	Standard Lengths
CP10-075	¾	200	2.0	0.47	Full	131'
CP10-100	1	200	2.0	0.60	Full	131'
CP10-125	1¼	200	3.0	0.67	Full	131'
CP10-150	1½	200	4.0	0.83	Full	131'
CP10-200	2	200	6.0	1.11	Full	131'
CP10-250	2½	200	8.0	1.41	Full	131'
CP10-300	3	200	10.0	1.70	Full	131'
CP10-400	4	200	12.0	2.75	Full	131'

Other wire variations available upon request.



CP12 HD MARINE COMPO CARGO & OIL HOSE GG



Application:

FLEXTRAL CP12 HD MARINE hose is a heavy duty hose for the transfer of a wide variety of hydrocarbons under suction or pressure. CP12 HD MARINE hoses are used for ship to shore and ship to ship, dockside and general shipboard applications. All hoses are 100% aromatic resistant, antistatic and can be used for suction or discharge.

FLEXTRAL CP12 is manufactured according to the requirement specified by the European Standards EN 13765:2010 Type 3 (BS 5842:1980), and in accordance with the recommendations of NAHAD Guidelines (NAHAD 600/2005). DNV, Rina, Approved. Meets USCG requirements.

Construction:

FLEXTRAL CP12 HD MARINE is a multi-layer thermoplastic hose manufactured with extra polypropylene, polyethylene, polyester films and polypropylene fabrics, with a weather-proof and abrasion resistant outer cover made of polymeric coated polyester fabric. All the different layers are wrapped together and tensioned between galvanized internal and external wire of bigger diameter and higher density. This enables our product to maintain extreme flexibility with tremendous strength and durability.

Branding - FLEXTRAL CP12-1200 12" HD MARINE COMPO CARGO & OIL HOSE 200 PSI MAX WP GG

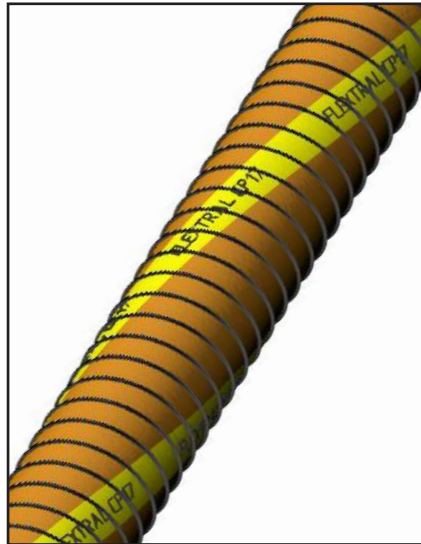
Temperature Range: -40°C to +100°C (-40°F to +212°F)

Part No.	I.D. Inches	Max W.P. PSI	Bend Radius Inches	Weight (lbs./ft.)	Vacuum	Standard Lengths
CP12-600	6	200	23.0	7.98	Full	131'
CP12-800	8	200	32.0	10.50	Full	131'
CP12-1000	10	200	40.0	15.11	Full	82'
CP12-1200	12	200	48.0	21.31	Full	82'

Other wire variations available upon request.



CP17 COMPO FUEL DELIVERY HOSE AP



Application:

Extremely flexible, lightweight and easy to handle. FLEXTRAL CP17 is a hose designed for the transfer of fuels, chemicals, and hydrocarbon products, under suction or pressure, where a super-light hose combined with a real effective abrasion resistant outer cover is required. The FLEXTRAL CP17 type AP, has been specifically designed to transfer the ethanol based diesel, biodiesel, leaded and unleaded fuels.

FLEXTRAL CP17 is manufactured according to the requirement specified by the European Standards EN 13765:2010 Type 3 (BS 5842:1980), and in accordance with the recommendations of NAHAD Guidelines (NAHAD 600/2005). This special construction gives extreme protection against the abrasion of the outside wall of the hose and avoiding any possible damage to the body truck's paint.

Construction:

FLEXTRAL CP17 is a new revolutionary multi-layer thermoplastic hose manufactured around multiple wraps of chemical resistant films and fabrics, including an extruded seamless UHMW tubular to eliminate potential leaks. All the different layers of FLEXTRAL CP17 are wrapped together and tensioned between aluminum internal and polypropylene coated aluminum external wire.

Branding - FLEXTRAL CP17-300 3" COMPO FUEL DELIVERY HOSE 100 PSI MAX WP AP

Temperature Range: -40°C to +81°C (-40°F to +180°F)

Part No.	I.D. Inches	Max W.P. PSI	Bend Radius Inches	Weight (lbs./ft.)	Vacuum	Standard Lengths
CP17-200	2	100	4.0	0.80	Full	131'
CP17-250	2½	100	5.0	0.96	Full	131'
CP17-300	3	100	6.3	1.18	Full	131'
CP17-400	4	100	9.8	1.65	Full	131'

Other wire variations available upon request.



CP18 COMPO CARGO VAPOR HOSE



Application:

General purpose hose ideal for use in petroleum and petrochemical vapor recovery systems.

FLEXTRAL CP18 is manufactured according to the BS 3492 - BX class 1 for aviation fuels. Complies with USCG Marine Vapor control system 33CFR Part 154.810. 100% Antistatic - Electrically continuous. Meets EN, CE, U.S. Coast Guard requirements, NAHAD Guidelines, DNV Approved. ATEX on request.

Construction:

FLEXTRAL CP18 is a multi-layer thermoplastic hose manufactured from polypropylene, polyethylene, polyester films and polypropylene fabrics, with a weather-proof and abrasion resistant outer cover made of polymeric coated polyester fabric. All the different layers are wrapped together and tensioned between galvanized internal and external wires. This enables our product to meet the requirement of the petrol-chemical industry and those of the oil tank truck industry.

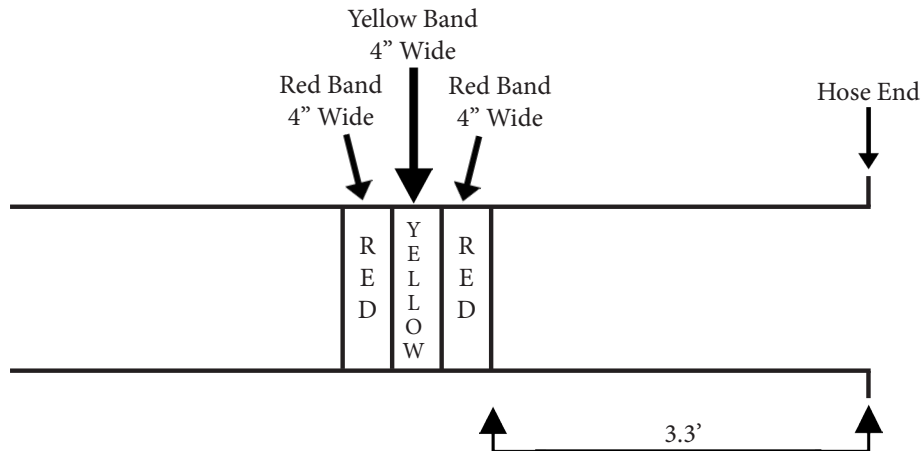
Branding - FLEXTRAL CP18-800 8" VAPOR RECOVERY HOSE 100 PSI MAX WP GG

Temperature Range: -20°C to +80°C (-4°F to +176°F)

Part No.	I.D. Inches	Max W.P. PSI	Bend Radius Inches	Weight (lbs./ft.)	Vacuum	Standard Lengths
CP18-800	8	150	29.0	7.19	Full	131'

Sizes: Other sizes available upon request

Note: Flextral vapor recovery hoses are manufactured to meet or exceed U.S. Coast Guard requirements in Federal Register volume 33 CFR chapter 1, subtitled "Vapor Recovery Connections" paragraph 154-810 dated 7.1.98. All vapor recovery hose is manufactured with a bright yellow cover and 2" VAPOR logo. Each are marked red/yellow/red on each end and flanges have .625 pilot holes on each end.



CP20 COMPO CHEM HOSE PG



Application:

Extremely flexible and easy to handle. FLEXTRAL CP20 is a general purpose hose for the transfer of a wide variety of chemicals under suction or pressure. It is used in such applications as transfer for rail and road tanker, loading and unloading, storage tank and in-plant applications. All hoses are 100% aromatic resistant, antistatic and can be used for suction or discharge.

FLEXTRAL CP20 is manufactured according to the requirement specified by the European Standards EN 13765:2010 Type 3 (BS 5842:1980), and in accordance with the recommendations of NAHAD Guidelines (NAHAD 600/2005). Meets USCG requirements.

Construction:

FLEXTRAL CP20 is a multi-layer thermoplastic hose manufactured from polypropylene, polyethylene, polyester films, polypropylene fabrics, with a weather-proof and abrasion resistant outer cover made of polymeric coated polyester fabric. All the different layers are wrapped together and tensioned between polypropylene coated galvanized internal and external wires. This enables our product to meet the requirements of the chemical industry and the chemical tank truck industry.

Branding - FLEXTRAL CP20-300 3" CHEM HOSE 200 PSI MAX WP PG

Temperature Range: -30°C to +80°C (-22°F to +176°F)

Part No.	I.D. Inches	Max W.P. PSI	Bend Radius Inches	Weight (lbs./ft.)	Vacuum	Standard Lengths
CP20-075	¾	200	2.0	0.47	Full	131'
CP20-100	1	200	2.0	0.54	Full	131'
CP20-125	1¼	200	3.0	0.60	Full	131'
CP20-150	1½	200	4.0	0.70	Full	131'
CP20-200	2	200	6.0	1.05	Full	131'
CP20-250	2½	200	8.0	1.25	Full	131'
CP20-300	3	200	10.0	1.50	Full	131'
CP20-400	4	200	12.0	2.43	Full	131'

Other wire variations available upon request.



CP22 HD MARINE COMPO CHEM HOSE PG



Application:

FLEXTRAL CP22 HD MARINE is an heavy duty hose for the transfer of a wide variety of chemicals under suction or pressure. FLEXTRAL CP22 hoses are used for ship to shore, ship to ship, dockside and general shipboard use. All hoses are 100% aromatic resistant, antistatic and can be used for suction or discharge.

FLEXTRAL CP22 HD MARINE hose is manufactured according to the requirement specified by the European Standards EN 13765:2010 Type 3 (BS 5842:1980), and in accordance with the recommendations of NAHAD Guidelines (NAHAD 600/2005). DNV and Rina approved. Meets USCG requirements.

Construction:

FLEXTRAL CP22 HD MARINE hose is a multi-layer thermoplastic hose manufactured with extra polypropylene, polyethylene, polyester films and polypropylene fabrics, with a weather-proof and abrasion resistant outer cover made of polymeric coated polyester fabric. All the different layers are wrapped together and tensioned between polypropylene coated galvanized internal and galvanized external wire spirals of bigger diameter and higher density. This enables our product to maintain extreme flexibility with tremendous strength and durability.

Branding - FLEXTRAL CP22-1200 12" HD COMPO CARGO & OIL HOSE
200 PSI MAX WP PG

Temperature Range: -40°C to +100°C (-40°F to +212°F)

Part No.	I.D. Inches	Max W.P. PSI	Bend Radius Inches	Weight (lbs./ft.)	Vacuum	Standard Lengths
CP22-600	6	200	23.0	6.71	Full	131'
CP22-800	8	200	32.0	8.62	Full	131'
CP22-1000	10	200	40.0	16.00	Full	82'
CP22-1200	12	200	48.0	21.26	Full	82'

Other wire variations available upon request.

CP40 COMPO PTFE CHEM HOSE SS



Application:

Specifically designed as an universal hose for the transfer of a wide variety of aggressive chemicals under suction or pressure. CP40 PTFE hoses are used in such applications as transfer for rail and road tanker, loading and unloading, storage tank and in-plant use. This universal hose can help eliminate the costly redundancy of inventory to maintain the various hose constructions usually required. Extremely flexible and easy to handle. All hoses are 100% aromatic resistant, antistatic and can be used for suction or discharge.

FLEXTRAL CP40 PTFE hose is manufactured according to the requirement specified by the European Standards EN 13765:2010 Type 3 (BS 5842:1980), and in accordance with the recommendations of NAHAD Guidelines (NAHAD 600/2005). Meets USCG requirements.

Construction:

FLEXTRAL CP40 PTFE is a multi-layer thermoplastic hose designed around several PTFE (Polytetrafluoroethylene) liners, supported by a 316 stainless steel inner wire, with a weather-proof and abrasion resistant outer cover made of polymeric coated polyester fabric. FLEXTRAL CP40 PTFE includes in the construction an FEP tubular extruded film to avoid any possible leak and guarantee a gas-tight construction. All the different layers are wrapped together and tensioned between 316 stainless steel internal and external wires.

Branding - FLEXTRAL CP40-300 3" COMPO PTFE CHEM HOSE 200 PSI MAX WP SS

Temperature Range: -30°C to +80°C (-22°F to +176°F)

Part No.	I.D. Inches	Max W.P. PSI	Bend Radius Inches	Weight (lbs./ft.)	Vacuum	Standard Lengths
CP40-150	1½	200	4.0	0.70	Full	131'
CP40-200	2	200	6.0	1.05	Full	131'
CP40-250	2½	200	8.0	1.25	Full	131'
CP40-300	3	200	10.0	1.50	Full	131'
CP40-400	4	200	12.0	2.43	Full	131'

Other wire variations available upon request.



CP42 HD MARINE COMPO PTFE CHEM HOSE SS



Application:

Flextral CP42 HD MARINE PTFE is a heavy duty hose for the transfer of a wide variety of aggressive chemicals under suction or pressure. Flextral CP42 hoses are used in such applications as transfer for rail and road tanker, loading and unloading, storage tank and in-plant use. This universal hose can help eliminate the costly redundancy of inventory to maintain the various hose constructions usually required. Extremely flexible and easy to handle. All hoses are 100% aromatic resistant, antistatic and can be used for suction or discharge.

FLEXTRAL CP42 HD MARINE PTFE hose is manufactured according to the requirement specified by the European Standards EN 13765:2010 Type 3 (BS 5842:1980), and in accordance with the recommendations of NAHAD Guidelines (NAHAD 600/2005). Meets USCG requirements.

Construction:

FLEXTRAL CP42 HD MARINE PTFE is a multi-layer thermoplastic hose designed around several PTFE (Polytetrafluoroethylene) liners, supported by a 316 stainless steel inner wire, with a weather-proof and abrasion resistant outer cover made of polymeric coated polyester fabric. FLEXTRAL CP42 HD MARINE PTFE includes in the construction an FEP tubular extruded film to avoid any possible leak and guarantee a gas-tight construction. All the different layers are wrapped together and tensioned between 316 stainless steel internal and external wires.

Branding - FLEXTRAL CP42-800 8" HD MARINE PTFE CHEM HOSE
200 MAX WP SS

Temperature Range: -40°C to +100°C (-40°F to +212°F)

Part No.	I.D. Inches	Max W.P. PSI	Bend Radius Inches	Weight (lbs./ft.)	Vacuum	Standard Lengths
CP42-600	6	200	23.0	6.71	Full	131'
CP42-800	8	200	32.0	8.62	Full	131'
CP42-1000	10	200	40.0	14.06	Full	82'
CP42-1200	12	200	48.0	21.26	Full	82'

Other wire variations available upon request.

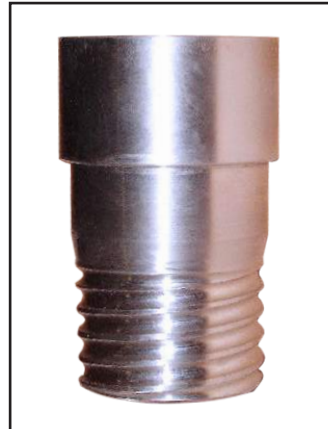
WELD END

CARBON STEEL WELD END



Hose Size	Part Number
3/4"	CPB-075-PS
1"	CPB-100-PS
1-1/4"	CPB-125-PS
1-1/2"	CPB-150-PS
2"	CPB-200-PS
2-1/2"	CPB-250-PS
3"	CPB-300-PS
4"	CPB-400-PS
6"	CPB-600-PS
8"	CPB-800-PS
10"	CPB-1000-PS
12"	CPB-1200-PS

304 STAINLESS STEEL WELD END



Hose Size	Part Number
3/4"	CPB-075-SS304
1"	CPB-100-SS304
1-1/4"	CPB-125-SS304
1-1/2"	CPB-150-SS304
2"	CPB-200-SS304
2-1/2"	CPB-250-SS304
3"	CPB-300-SS304
4"	CPB-400-SS304
6"	CPB-600-SS304
8"	CPB-800-SS304
10"	CPB-1000-SS304
12"	CPB-1200-SS304

316 STAINLESS STEEL WELD END



Hose Size	Part Number
3/4"	CPB-075-SS316
1"	CPB-100-SS316
1-1/4"	CPB-125-SS316
1-1/2"	CPB-150-SS316
2"	CPB-200-SS316
2-1/2"	CPB-250-SS316
3"	CPB-300-SS316
4"	CPB-400-SS316
6"	CPB-600-SS316
8"	CPB-800-SS316
10"	CPB-1000-SS316
12"	CPB-1200-SS316

FIXED FLANGE

CARBON STEEL WELD END FLANGE



Hose Size	Part Number
3/4"	CPFF-075-PS
1"	CPFF-100-PS
1-1/4"	CPFF-125-PS
1-1/2"	CPFF-150-PS
2"	CPFF-200-PS
2-1/2"	CPFF-250-PS
3"	CPFF-300-PS
4"	CPFF-400-PS
6"	CPFF-600-PS
8"	CPFF-800-PS
10"	CPFF-1000-PS
12"	CPFF-1200-PS

304 STAINLESS STEEL WELD END FLANGE



Hose Size	Part Number
3/4"	CPFF-075-SS304
1"	CPFF-100-SS304
1-1/4"	CPFF-125-SS304
1-1/2"	CPFF-150-SS304
2"	CPFF-200-SS304
2-1/2"	CPFF-250-SS304
3"	CPFF-300-SS304
4"	CPFF-400-SS304
6"	CPFF-600-SS304
8"	CPFF-800-SS304
10"	CPFF-1000-SS304
12"	CPFF-1200-SS304

316 STAINLESS STEEL WELD END FLANGE



Hose Size	Part Number
3/4"	CPFF-075-SS316
1"	CPFF-100-SS316
1-1/4"	CPFF-125-SS316
1-1/2"	CPFF-150-SS316
2"	CPFF-200-SS316
2-1/2"	CPFF-250-SS316
3"	CPFF-300-SS316
4"	CPFF-400-SS316
6"	CPFF-600-SS316
8"	CPFF-800-SS316
10"	CPFF-1000-SS316
12"	CPFF-1200-SS316

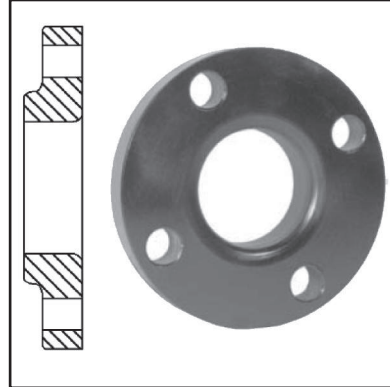
TURN BACK AND FLOATING FLANGE



**Also Available in
Stainless Steel.**

STEEL TURN BACK

Hose Size	Part Number
3/4"	CPTB-075-PS
1"	CPTB-100-PS
1-1/4"	CPTB-125-PS
1-1/2"	CPTB-150-PS
2"	CPTB-200-PS
2-1/2"	CPTB-250-PS
3"	CPTB-300-PS
4"	CPTB-400-PS
6"	CPTB-600-PS
8"	CPTB-800-PS
10"	CPTB-1000-PS
12"	CPTB-1200-PS



**Also Available in
Stainless Steel.
All alloys are also
available in 300 ASA**

STEEL 150 ASA FLOATING LAP JOINT FLANGE FOR TURN BACK

Hose Size	Part Number
1-1/2"	FLLJ150-150-PS
2"	FLLJ150-200-PS
2-1/2"	FLLJ150-250-PS
3"	FLLJ150-300-PS
4"	FLLJ150-400-PS
6"	FLLJ150-600-PS
8"	FLLJ150-800-PS
10"	FLLJ150-1000-PS
12"	FLLJ150-1200-PS

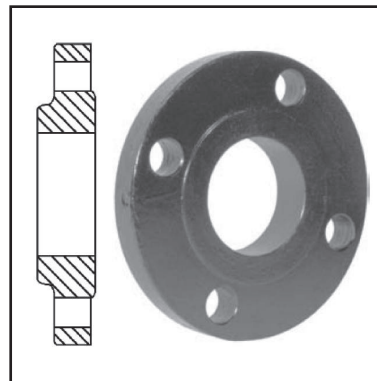
FLANGES



**Also Available in
Stainless Steel.
All alloys are also
available in 300 ASA**

STEEL 150 ASA THREADED FLANGE

Hose Size	Part Number
1-1/2"	FLT150-150-PS
2"	FLT150-200-PS
2-1/2"	FLT150-250-PS
3"	FLT150-300-PS
4"	FLT150-400-PS
6"	FLT150-600-PS
8"	FLT150-800-PS
10"	FLT150-1000-PS
12"	FLT150-1200-PS



**Also Available in
Stainless Steel.
All alloys are also
available in 300 ASA**

STEEL 150 ASA SLIP ON FLANGE FOR WELD END

Hose Size	Part Number
1-1/2"	FLS150-150-PS
2"	FLS150-200-PS
2-1/2"	FLS150-250-PS
3"	FLS150-300-PS
4"	FLS150-400-PS
6"	FLS150-600-PS
8"	FLS150-800-PS
10"	FLS150-1000-PS
12"	FLS150-1200-PS

MALE NPT ENDS



CARBON STEEL MALE NPT

Hose Size	Part Number
3/4"	CPT-075-PS
1"	CPT-100-PS
1-1/4"	CPT-125-PS
1-1/2"	CPT-150-PS
2"	CPT-200-PS
2-1/2"	CPT-250-PS
3"	CPT-300-PS
4"	CPT-400-PS
6"	CPT-600-PS



304 STAINLESS STEEL MALE NPT

Hose Size	Part Number
3/4"	CPT-075-SS304
1"	CPT-100-SS304
1-1/4"	CPT-125-SS304
1-1/2"	CPT-150-SS304
2"	CPT-200-SS304
2-1/2"	CPT-250-SS304
3"	CPT-300-SS304
4"	CPT-400-SS304
6"	CPT-600-SS304



316 STAINLESS STEEL MALE NPT

Hose Size	Part Number
3/4"	CPT-075-SS316
1"	CPT-100-SS316
1-1/4"	CPT-125-SS316
1-1/2"	CPT-150-SS316
2"	CPT-200-SS316
2-1/2"	CPT-250-SS316
3"	CPT-300-SS316
4"	CPT-400-SS316
6"	CPT-600-SS316



ALUMINUM MALE NPT

Hose Size	Part Number
3/4"	CPT-075-AL
1"	CPT-100-AL
1-1/4"	CPT-125-AL
1-1/2"	CPT-150-AL
2"	CPT-200-AL
2-1/2"	CPT-250-AL
3"	CPT-300-AL
4"	CPT-400-AL



CARBON STEEL GROOVED END

Hose Size	Part Number
4"	CPG-400-PS
6"	CPG-600-PS
8"	CPG-800-PS
10"	CPG-1000-PS



POLYPROPYLENE MALE NPT

Hose Size	Part Number
3/4"	CPT-075-PP
1"	CPT-100-PP
1-1/4"	CPT-125-PP
1-1/2"	CPT-150-PP
2"	CPT-200-PP
2-1/2"	CPT-250-PP
3"	CPT-300-PP
4"	CPT-400-PP

FEMALE CAMLOCK



**STAINLESS STEEL
FEMALE CAMLOCK**

Hose Size	Part Number
1-1/2"	CPSS-C150
2"	CPSS-C200
2-1/2"	CPSS-C250
3"	CPSS-C300
4"	CPSS-C400



**ALUMINUM
FEMALE CAMLOCK**

Hose Size	Part Number
1-1/2"	CPAL-C150
2"	CPAL-C200
2-1/2"	CPAL-C250
3"	CPAL-C300
4"	CPAL-C400

MALE CAMLOCK



**STAINLESS STEEL
MALE CAMLOCK**

Hose Size	Part Number
1-1/2"	CPSS-E150
2"	CPSS-E200
2-1/2"	CPSS-E250
3"	CPSS-E300
4"	CPSS-E400



**ALUMINUM
MALE CAMLOCK**

Hose Size	Part Number
1-1/2"	CPAL-E150
2"	CPAL-E200
2-1/2"	CPAL-E250
3"	CPAL-E300
4"	CPAL-E400

FERRULES



**STAINLESS STEEL
FERRULES**

Hose Size	Part Number
3/4"	CPF-075-SS
1"	CPF-100-SS
1-1/4"	CPF-125-SS
1-1/2"	CPF-150-SS
2"	CPF-200-SS
2-1/2"	CPF-250-SS
3"	CPF-300-SS
4"	CPF-400-SS
6"	CPF-600-SS
8"	CPF-800-SS
10"	CPF-1000-SS
12"	CPF-1200-SS

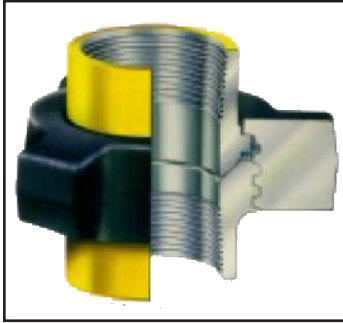
**MILD STEEL
FERRULES**

Hose Size	Part Number
1-1/2"	CPF-150-PS
2"	CPF-200-PS
2-1/2"	CPF-250-PS
3"	CPF-300-PS
4"	CPF-400-PS
6"	CPF-600-PS
8"	CPF-800-PS
10"	CPF-1000-PS
12"	CPF-1200-PS

**ALUMINUM
FERRULES**

Hose Size	Part Number
2"	CPF-200-AL
2-1/2"	CPF-250-AL
3"	CPF-300-AL
4"	CPF-400-AL

HAMMER UNIONS



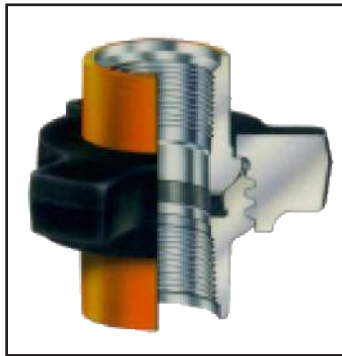
Hose Size	Part No.
2"	HUT100-200
2-1/2"	HUT100-250
3"	HUT100-300
4"	HUT100-400
6"	HUT100-600
8"	HUT100-800



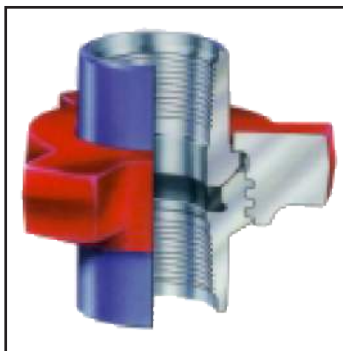
Hose Size	Part No.
1"	HUT200-100
1-1/4"	HUT200-125
1-1/2"	HUT200-150
2"	HUT200-200
2-1/2"	HUT200-250
3"	HUT200-300
4"	HUT200-400
6"	HUT200-600
8"	HUT200-800
10"	HUT200-1000



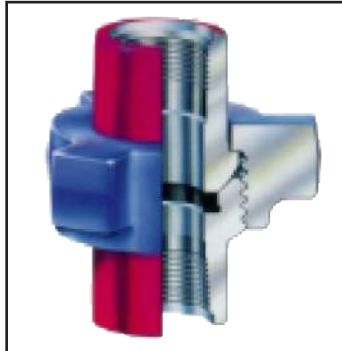
Hose Size	Part No.
1"	HUT206-100
1-1/4"	HUT206-125
1-1/2"	HUT206-150
2"	HUT206-200
2-1/2"	HUT206-250
3"	HUT206-300
4"	HUT206-400
6"	HUT206-600
8"	HUT206-800
10"	HUT206-1000



Hose Size	Part No.
1"	HUT602-100
1-1/4"	HUT602-125
1-1/2"	HUT602-150
2"	HUT602-200
3"	HUT602-300
4"	HUT602-400



Hose Size	Part No.
1"	HUT1002-100
1-1/4"	HUT1002-125
1-1/2"	HUT1002-150
2"	HUT1002-200
3"	HUT1002-300
4"	HUT1002-400



Hose Size	Part No.
1"	HUT1502-100
1-1/2"	HUT1502-125
2"	HUT1502-200
3"	HUT1502-300
4"	HUT1502-400
5"	HUT1502-500

* HUBW Hammer Union Butt-Welds Available

GASKETS

NBR GASKETS



Hose Size	Part Number
1"	CPS-100-NR
1-1/2"	CPS-150-NR
2"	CPS-200-NR
2-1/2"	CPS-250-NR
3"	CPS-300-NR
4"	CPS-400-NR
6"	CPS-600-NR
8"	CPS-800-NR

EPDM GASKETS



Hose Size	Part Number
3/4"	CPS-075-EP
1"	CPS-100-EP
1-1/4"	CPS-125-EP
1-1/2"	CPS-150-EP
2"	CPS-200-EP
2-1/2"	CPS-250-EP
3"	CPS-300-EP
4"	CPS-400-EP
6"	CPS-600-EP
8"	CPS-800-EP

VITON GASKETS



Hose Size	Part Number
3/4"	CPS-075-VI
1"	CPS-100-VI
1-1/4"	CPS-125-VI
1-1/2"	CPS-150-VI
2"	CPS-200-VI
2-1/2"	CPS-250-VI
3"	CPS-300-VI
4"	CPS-400-VI
6"	CPS-600-VI
8"	CPS-800-VI

ANTI-ABRASION COLLAR AND HOSE SUSPENSION SADDLE



This new revolutionary patented product combines both:

- Hose protection against abrasion
- Hose handling support, to properly suspend the hose with the right bending radius, eliminating kinking, cutting or any type of hose damage in general.

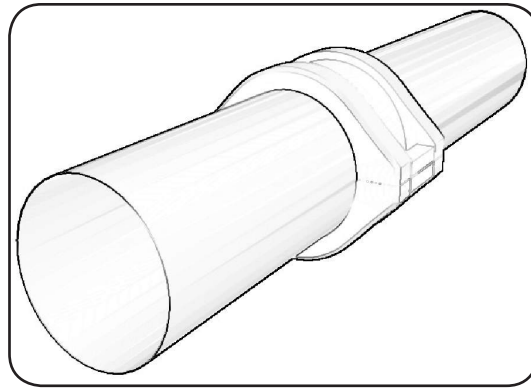
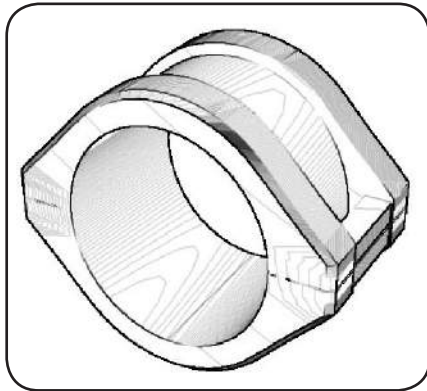
An appropriate sling is used in a choker hitch position to eliminate hose slippage. These collars have been tested to reduce abrasion damage to the hose when they are in direct contact with the floor and to lift it or move when necessary. These collars providing the right support and eliminating the risk of hose damage.

Anti-abrasion collars are made from abrasion and shock resistant polyurethane or black PLT, and can be strategically placed to prevent hose contact with the floor. These rings are manufactured in two halves and can be easily mounted on-site with stainless steel bolts and nuts. This product will help prolong hose life and increase the safety.



Anti-Scuffing Ring

Hose Size	Part Number
2"	CP-ASR-200
2-1/2"	CP-ASR-250
3"	CP-ASR-300
4"	CP-ASR-400
6"	CP-ASR-600
8"	CP-ASR-800
10"	CP-ASR-1000



HOSE BUNS



A hose saddle designed to properly suspend hose. The patented product is used to protect the manufacturer's maximum bend radius and keep your hose from kinking.

HoseBun™ is used for cradling hose within various industrial and commercial sites and applications including: the petrochemical industrial, oil and gas drilling applications, hi-hose refueling stations, overland and offshore shipping and transportation settings, military and aircraft refueling depots, and in the nuclear reactor industry.

Material: Urethane
Max Temperature: +93°C (+200°F)

Part Number	Hose Size	Length Inches	Package Weight lbs	Sling Height Inches	Sling Type	Rated Capacity lbs
HB-200	2"	18.00	4.00	7.25	D-Ring	800
HB-300	3"	12.75	4.25	8.50	D-Ring	800
HB-400	4"	11.50	5.00	8.00	D-Ring	800
HB-600	6"	21.50	16.00	22.50	Type 4 Hook Eye	8,000
HB-800	8"	30.5	35.00	18.00	Type 4 Hook Eye	12,000

